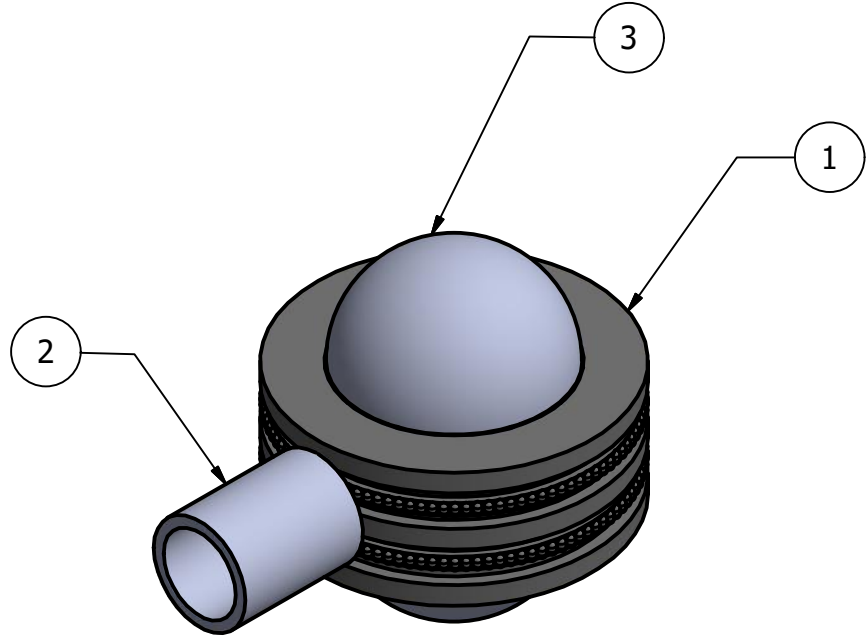


PARTS LIST			
ITEM	QTY	PART NUMBER	DESCRIPTION
1	1	RGDTT	HUB
2	2	PSRD8-12	BASE TUBE
3	2	CAHR-1	CAP



APPROVED FOR PRODUCTION
 By: RICHARD PAUL
 Date: 6-2-2021

UNLESS OTHERWISE SPECIFIED	
.X	± .3mm
.XX	± .15mm
.XXX	± .008mm

CHECKED	5-29-21	P.D.
APPROVED	5-29-21	R.A.

DRAWN	5-29-21	IM
-------	---------	----

MATERIAL:	BRASS
DESCRIPTION:	1-1/2 Inch Cabinet Knob

FINISH	TBD
QTY	TBD
DRAWING NO. 102AD	
SCALE	1.5:1

REV	0
SHEET: 1 OF 1	

2

1